

240 / 241 Mini Rotary Latch

Features

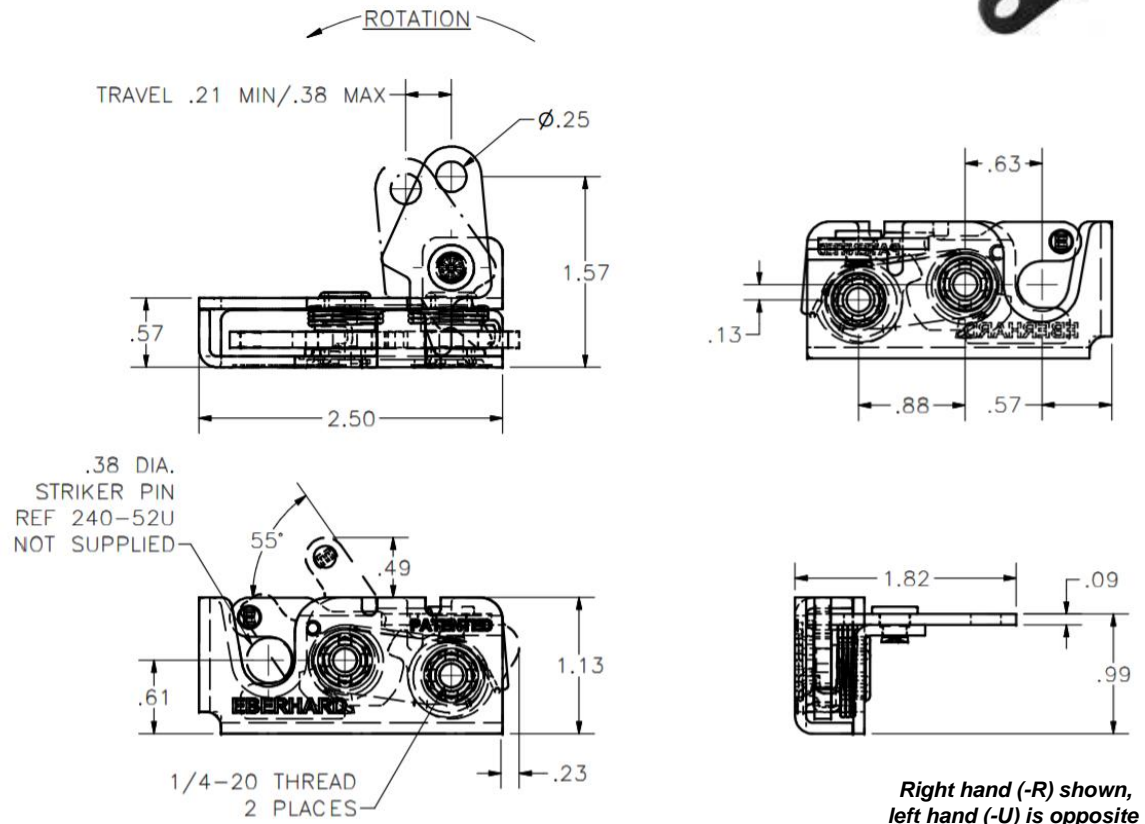
- Mini size rotary latches available in either two stage (240 Series) or single stage (241 Series) actuation. Interchange "-240" with "-241" for desired model
- Ideal for small hoods, lids, doors and panels, with maximum rated load strength of 750 lbs
- Low profile design and light weight, easily mounted using two 1/4" bolts
- Uses .38" diameter striker pin
- Available in multiple actuation options
- Stainless steel options also available for selected models

Material

- Steel, zinc plated

Notes

- Strikers sold separately

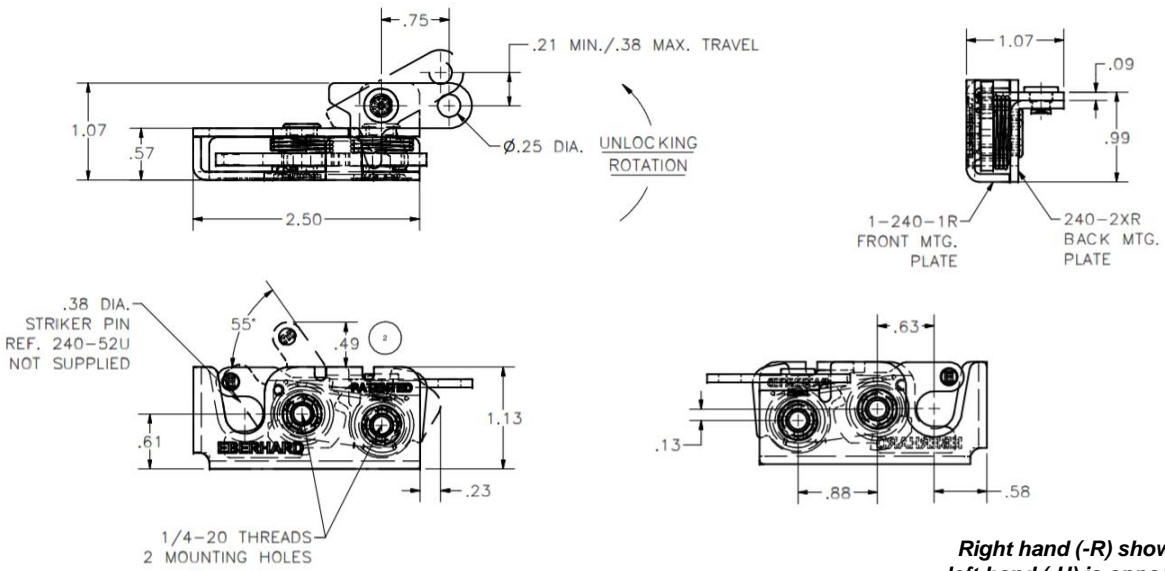


Part No.	Stage	Type	Description
240-R-54	Two Stage	Right Hand	Perpendicular single lever arm with .25" dia hole, 1/4-20 mounting holes
240-L-54		Left Hand	
241-R-54	Single Stage	Right Hand	
201-L-54		Left Hand	

Dimensions in inches

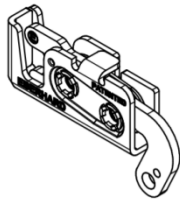
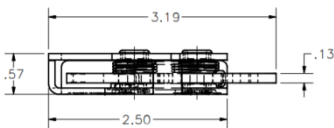


We are Eberhard's exclusive distributor

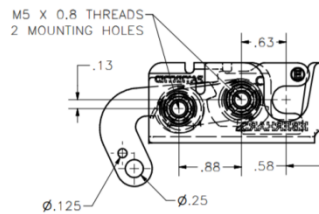
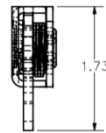
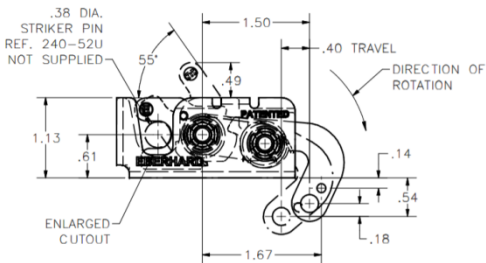


Right hand (-R) shown,
left hand (-U) is opposite

Part No.	Housing Material	Stage	Type	Description
1-240-R-54	Carbon steel, zinc plated	Two Stage	Right Hand	Parallel single lever arm with .25" dia hole, 1/4-20 mounting holes
1-240-L-54			Left Hand	
1-241-R-54		Single Stage	Right Hand	
1-201-L-54			Left Hand	
1-240-SSR-22	Stainless steel	Two Stage	Right Hand	
1-240-SSL-22			Left Hand	
1-241-SSR-22		Single Stage	Right Hand	
1-241-SSL-22			Left Hand	



Right hand (-R) shown,
left hand (-U) is opposite

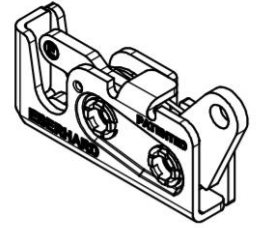
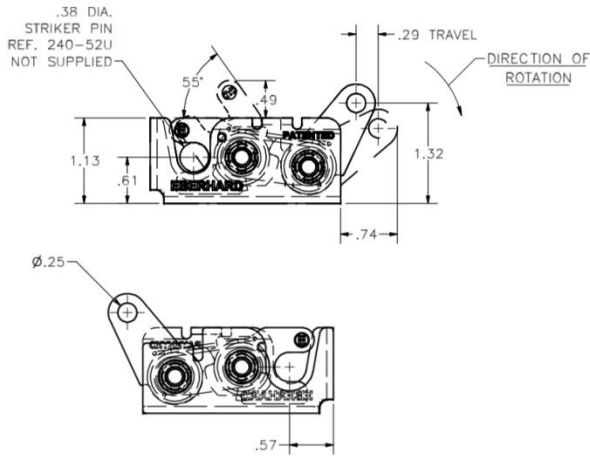


Part No.	Material	Stage	Type	Description
2-240-MR-64	Housing: Zinc with yellow dichromate finish	Two Stage	Right Hand	Designed with metric threads and an enlarged cutout
2-240-ML-64			Left Hand	
2-241-MR-64	Internal components: Everlube finish	Single Stage	Right Hand	
2-241-ML-64			Left Hand	



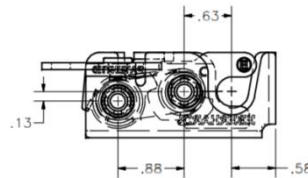
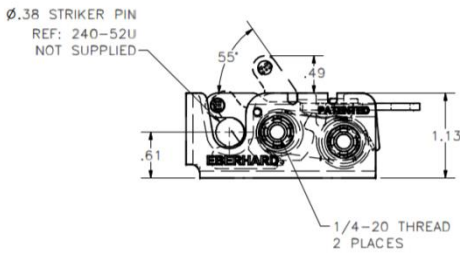
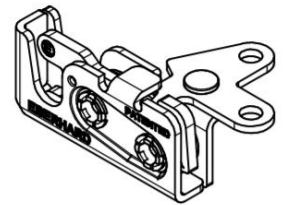
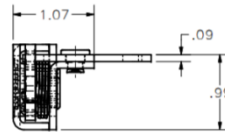
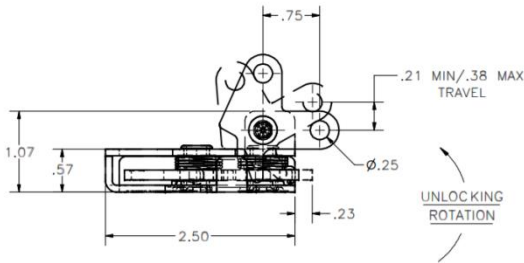
Dimensions in inches

We are Eberhard's exclusive distributor



Right hand (-R) shown,
left hand (-U) is opposite

Part No.	Housing Material	Stage	Type	Description
8-240-R-54	Carbon steel, zinc plated	Two Stage	Right Hand	Pawl with downward travel, has .25" dia hole, 1/4-20 mounting holes
8-240-L-54			Left Hand	
8-241-R-54		Single Stage	Right Hand	
8-201-L-54			Left Hand	
8-240-SSR-22	Stainless steel	Two Stage	Right Hand	
8-240-SSL-22			Left Hand	
8-241-SSR-22		Single Stage	Right Hand	
8-241-SSL-22			Left Hand	



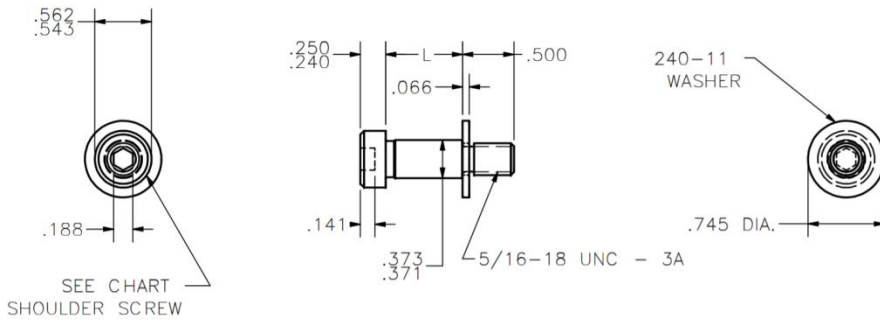
Part No.	Housing Material	Stage	Type	Description
11-240-R-54	Carbon steel, zinc plated	Two Stage	Right Hand	Dual lever arms, each with .25" dia hole, 1/4-20 mounting holes
11-240-L-54			Left Hand	
11-241-R-54		Single Stage	Right Hand	
11-201-L-54			Left Hand	

Dimensions in inches



We are Eberhard's exclusive distributor

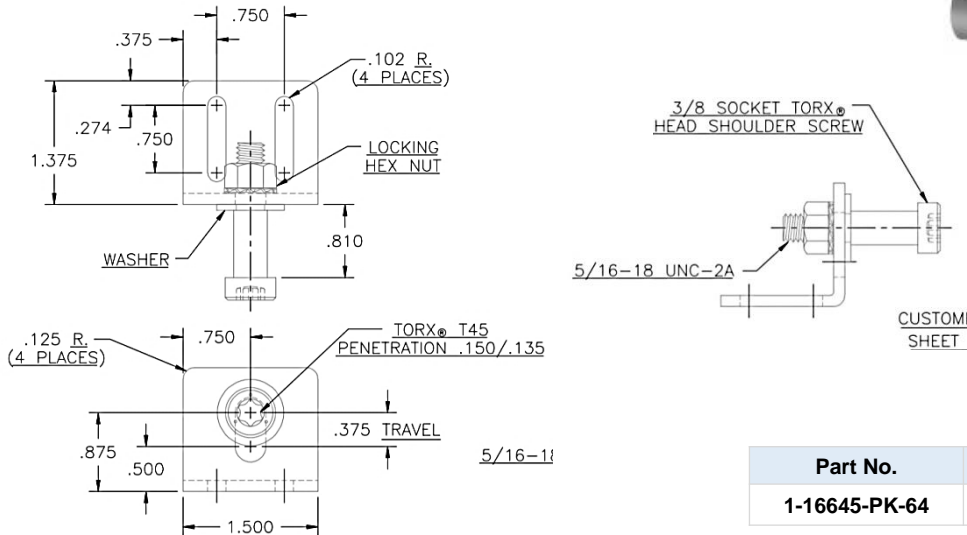
240-52U-25 Striker Pin With Washer



SEE CHART
SHOULDER SCREW

Part No.	Material	L ± .005
240-52U-25	Steel, zinc finish	.750
3-240-52U-25		1.750

1-16645-PK-64 Adjustable Striker



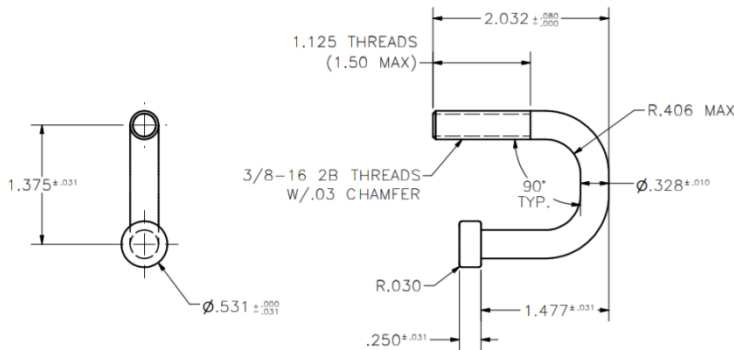
3/8 SOCKET TORX
HEAD SHOULDER SCREW

5/16-18 UNC-2A

CUSTOM
SHEET

Part No.	Material
1-16645-PK-64	Zinc with yellow chromate

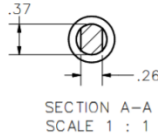
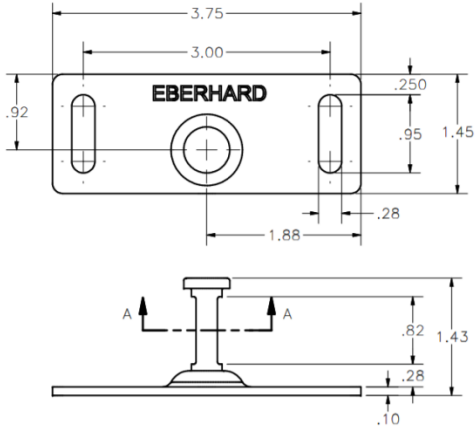
20-240-10 Small Hook Striker



Dimensions in inches

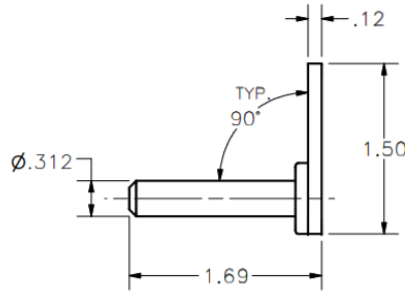
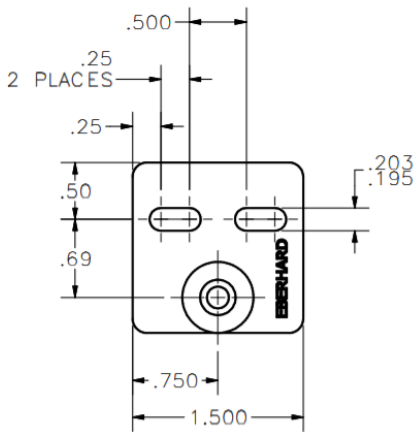
Part No.	Material
20-240-10	Steel, zinc plated

17-240-52 Striker With Slotted Holes



Part No.	Material
17-240-52	E-coat black

4-240-52 Adjustable Striker Plate Subassembly



Part No.	Material
4-240-52	Steel, zinc plated

Dimensions in inches



We are Eberhard's exclusive distributor